

SEALED LEAD ACID BATTERIES: INDIVIDUAL DATA SHEET

LC-R125P



Specifications

Nominal voltage		12V
Rated capacity (20 hour rate)		5.0Ah
Dimensions	Length	3.543 inches (90.0 mm)
	Width	2.756 inches (70.0 mm)
	Height	4.016 inches (102.0 mm)
	Total Height*	4.252 inches (108.0 mm)
Approx. mass		4.25 lbs (1.93 kg)
Standard Terminals and Resin	UL94HB Faston 187	LC-R125P
	UL94HB Faston 250	LC-R125P1

* The total height with #250 terminal is 109.5mm.

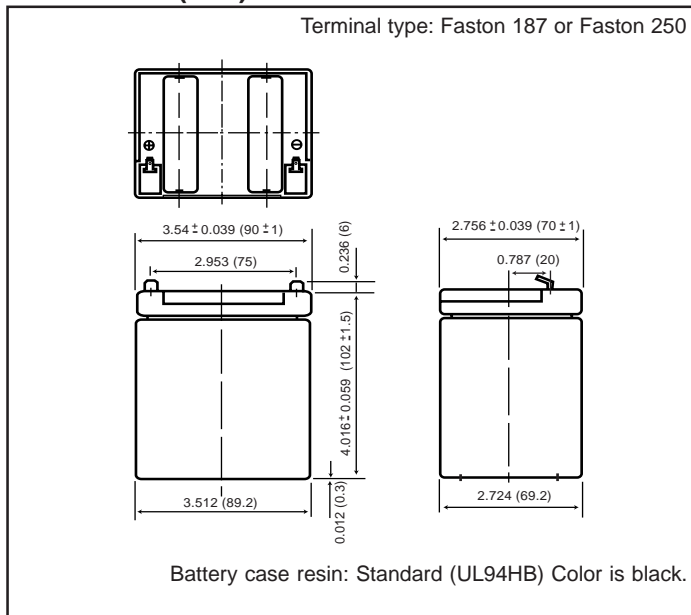
Characteristics

Capacity (note) 77°F (25°C)	20 hour rate (250mA)	5Ah	
	10 hour rate (470mA)	4.7Ah	
Internal resistance	5 hour rate (860mA)	4.3Ah	
	1 hour rate (3400mA)	3.4Ah	
	1.5 hour rate discharge Cut-off voltage 10.5 V	2.4A	
Temperature dependency of capacity (20 hour rate)	Fully charged battery 77°F (25°C)	Approx. 40mΩ	
	104°F (40°C)	102%	
	77°F (25°C)	100%	
	32°F (0°C)	85%	
Self discharge 77°F (25°C)	5°F (-15°C)	65%	
	Residual capacity after standing 3 months	91%	
	Residual capacity after standing 6 months	82%	
Charge Method (Constant Voltage)	Cycle use (Repeating use)	Residual capacity after standing 12 months	64%
		Initial current	2 A or smaller
	Trickle use	Control voltage	14.5V to 14.9 V (per 12V cell 25°C)
		Initial current	0.75 A or smaller
		Control voltage	13.6V to 13.8V (per 12V cell 25°C)

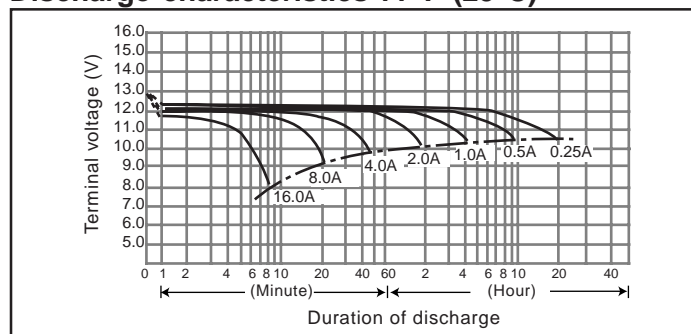
(Note) The above characteristics data are average values obtained within three charge/discharge. Cycles not the minimum values.

For main and standby power supplies.
Expected trickle life: 3-5 years at 25°C, Approx. 5 years at 20°C.

Dimensions (mm)



Discharge characteristics 77°F (25°C) (Note)



Duration of discharge vs. Discharge current (Note)

